



Professional streetlight luminaire for LED light sources.

TECHNICAL DATA

Mounting: on pillar $\varnothing 60/40\text{mm}$, $\varnothing 60/48\text{mm}$, $\varnothing 76\text{mm}$ (modification .829), on outriggers $\varnothing 60/40\text{mm}$, $\varnothing 60/48\text{mm}$, $\varnothing 76\text{mm}$ (modification .829)

Body: high pressure die-cast aluminum

Lateral Surface Wind Exposed: 0.039 m²; 0.045 m²

Colour: gray, graphite

Diffuser: tempered glass

ELECTRICAL DATA

Power supply efficiency: $\leq 93\%$

Power: 220-240V 50/60Hz

Includes light source: yes

Type of equipment: ED, DALI/ED, DALI

Electrical connection: max 3x2,5 mm² wire, max 2x2,5 mm² wire, max 3x2,5 mm² / 5x2,5 mm² wire, max 2x2,5 mm² / 4x2,5 mm² wire, max 5x2,5 mm² wire, max 4x2,5 mm² wire

OPTICAL DATA

Way of lighting: direct

Type of optic: O33 - for express roads, O34 - for local roads, O35 - for town roads, O36 - for residential area roads, O37P - for pedestrian crossings, right side traffic, O37L - for pedestrian crossings, left side traffic, O38 - for area lighting, O39 - for town and local roads, O40 - for wet surfaces, O13 - for express roads, O14 - for local roads, O15 - for town roads, O16 - for residential area roads, O2 - for express roads, O3 - for local roads, O4 - for town roads, O5 - for residential area roads, O6P - for pedestrian crossings, right side traffic, O6L - for pedestrian crossings, left side traffic, O7 - for area lighting, O8 - for town and local roads, O26 - for wet surfaces, O59 - for local roads, O60 - for town roads, O61 - for residential area roads, O2P, O73 - for express roads, O74 - for town roads, O75 - for town roads, O76 - for residential area roads, O77 - for pedestrian crossings, left side traffic, O78 - for pedestrian crossings, right side traffic, O79 - for area lighting, O80 - for town and local roads, O81 - for wet surfaces, O82 - for road lighting, O62 - for express roads, O63 - for local roads, O64 - for town roads, O65 - for residential area roads, O66 - for pedestrian crossings, left side traffic, O67 - for pedestrian crossings, right side traffic, O68 - for area lighting, O69 - for town and local roads, O70 - for wet surfaces, O71 - for road lighting, O84 - for road lighting, O85 - for road lighting,

ULOR / DLOR: 0% / 100%

Lifetime LED (L90): 100 000 h

Available on request: DALI, DIM 1..10V, LLOC, twilight sensor, knife switch, 10kV surge protection, NTC

Additional information: Tilt adjustment: -15° to +15° (every 5°), CRI/Ra >70

Additional equipment: additional anti-corrosive protection (index extension: .985), access to the driver chamber without the use of tools (index extension: .825), luminaire with holder for mounting on a $\varnothing 76\text{mm}$ pillar (index extension: .829)

Other remarks: the pole and boom are not part of the luminaire

Warranty: 5 years

Application: express roads, local roads, town roads, residential area roads, pedestrian crossings, area lighting, avenues, promenade, cycle paths, public spaces, parking areas



GENERAL DATA

Code	Luminaire power [W]	Lumen luminaire [lm]	Efficacy [lm/W]	Colour temperature [K]	CRI/Ra	Operating temperature range [°C]
Type: O33, O34, O35, O36, O37P, O37L, O38, O39, O40 optics						
130222.5L79X.XX1	23	3150	137	3000	>70	* max +50
130222.5L74X.XX1	23	3400	148	4000	>70	* max +50
130222.5L80X.XX1	35	4850	139	3000	>70	* max +50
130222.5L75X.XX1	35	5200	149	4000	>70	* max +50
130222.5L81X.XX1	51	7100	139	3000	>70	* max +50

* Lower temperature range: -40°C to -20°C, depending on the type of power supply used (consultation with the LUG Technical Preparation of Production Branch is required).

Please note that the standard luminaire is not intended for use in an environment with an increased corrosivity category. The use of the luminaire for work in an environment for which additional corrosion protection is necessary requires the use of an index with the extension .985 (on request).

In order to apply the luminaire in an aggressive environment, for example with an increased concentration of sulfur, salt or other aggressive substances, a consultation with the LUG Technical Preparation of Production Branch is required.

Luminous flux tolerance +/- 10%.

Power tolerance +/- 5%.

Lighting beam, light intensity distribution and light efficiency were examined in accordance with the EN ISO 17025:2005 norm for EN13032 norm series and the LM-79 norm.

Up-to-date product info and General Warranty terms available on our website www.luglightfactory.com

Detailed information on luminous fluxes and powers for individual indexes are indicated on the product data sheet.

The parameters in the data sheet are given for Ta=25°C.

The operating temperature ranges apply only to luminaires used in the outdoor environment.

Colour temperature tolerance +/- 5%.

Date of issue: 13-1-2021

The LUG Company reserves right to introduce any construction changes and improvements into the lighting luminaires

Code	Luminaire power [W]	Lumen luminaire [lm]	Efficacy [lm/W]	Colour temperature [K]	CRI/Ra	Operating temperature range [°C]
Type: O33, O34, O35, O36, O37P, O37L, O38, O39, O40 optics						
130222.5L76X.XX1	51	7650	150	4000	>70	* max +50
130222.5L82X.XX1	68	9350	138	3000	>70	* max +50
130222.5L77X.XX1	68	10050	148	4000	>70	* max +50
130222.5L83X.XX1	102	13500	132	3000	>70	* max +50
130222.5L78X.XX1	102	14500	142	4000	>70	* max +50
Type: O13, O14, O15, O16 optics						
130222.6L30X.XX1	27	3350	124	3000	>70	* max +50
130222.6L84X.XX1	27	3400	126	4000	>70	* max +50
130222.6L31X.XX1	35	4500	129	3000	>70	* max +50
130222.6L85X.XX1	35	4500	129	4000	>70	* max +50
130222.6L32X.XX1	51	6600	129	3000	>70	* max +50
130222.6L86X.XX1	51	6600	129	4000	>70	* max +50
130222.6L33X.XX1	76	10050	132	3000	>70	* max +50
130222.6L87X.XX1	76	10100	133	4000	>70	* max +50
130222.6L34X.XX1	99	13050	132	3000	>70	* max +50
130222.6L88X.XX1	99	13100	132	4000	>70	* max +50
130222.6L35X.XX1	128	16150	126	3000	>70	* max +40
130222.6L89X.XX1	128	16200	127	4000	>70	* max +40
130222.6L36X.XX1	157	19050	121	3000	>70	* max +35
130222.6L90X.XX1	157	19050	121	4000	>70	* max +35
Type: O2, O3, O4, O5, O6P, O6L, O7, O8, O26, O59, O60, O61, O84, O85 optics						
130222.5L42X.XX1	27	3150	117	3000	>70	* max +50
130222.5L01X.XX1	27	3300	122	4000	>70	* max +50
130222.5L43X.XX1	36	4150	115	3000	>70	* max +50
130222.5L13X.XX1	36	4300	119	4000	>70	* max +50
130222.5L44X.XX1	53	6200	117	3000	>70	* max +50
130222.5L04X.XX1	53	6400	121	4000	>70	* max +50
130222.5L45X.XX1	80	9650	121	3000	>70	* max +50
130222.5L07X.XX1	80	10050	126	4000	>70	* max +50
130222.5L46X.XX1	102	12700	125	3000	>70	* max +50
130222.5L10X.XX1	102	13200	129	4000	>70	* max +50
Type: O2, O3, O4, O5, O6P, O6L, O7, O8, O26 optics						
130222.5L02X.XX1	27	3300	122	5700	>70	* max +50
130222.5L14X.XX1	36	4300	119	5700	>70	* max +50
130222.5L05X.XX1	53	6400	121	5700	>70	* max +50
130222.5L08X.XX1	80	10050	126	5700	>70	* max +50
130222.5L11X.XX1	102	13200	129	5700	>70	* max +50
Type: OP2 optics						
130222.5L731.111	80	9300	116	3000	>70	* max +50
Type: PLUS version - O73, O74, O75, O76, O77, O78, O79, O80, O81, O82, O83 optics						
13022X.XL78X.XX1	101	15500	153	4000	>70	-40 ... +50
13022X.XL83X.XX1	101	15100	150	3000	>70	-40 ... +50
13022X.XL47X.XX1	101	13550	134	2700	>70	-40 ... +50
13022X.XL48X.XX1	101	12700	126	2200	>70	-40 ... +50
13022X.XL49X.XX1	158	22100	140	4000	>70	-40 ... +50
13022X.XL56X.XX1	158	21550	136	3000	>70	-40 ... +50
13022X.XL59X.XX1	158	19350	122	2700	>70	-40 ... +50
13022X.XL60X.XX1	158	18100	115	2200	>70	-40 ... +50

* Lower temperature range: -40°C to -20°C, depending on the type of power supply used (consultation with the LUG Technical Preparation of Production Branch is required).

Please note that the standard luminaire is not intended for use in an environment with an increased corrosivity category. The use of the luminaire for work in an environment for which additional corrosion protection is necessary requires the use of an index with the extension .985 (on request).

In order to apply the luminaire in an aggressive environment, for example with an increased concentration of sulfur, salt or other aggressive substances, a consultation with the LUG Technical Preparation of Production Branch is required.

Luminous flux tolerance +/- 10%.

Power tolerance +/- 5%.

Lighting beam, light intensity distribution and light efficiency were examined in accordance with the EN ISO 17025:2005 norm for EN13032 norm series and the LM-79 norm.

Up-to-date product info and General Warranty Terms available on our website www.luglightfactory.com

Detailed information on luminous fluxes and powers for individual indexes are indicated on the product data sheet.

The parameters in the data sheet are given for Ta=25°C.

The operating temperature ranges apply only to luminaires used in the outdoor environment.

Colour temperature tolerance +/- 5%.

Date of issue: 13-1-2021

The LUG Company reserves right to introduce any construction changes and improvements into the lighting luminaires

Code	Luminaire power [W]	Lumen luminaire [lm]	Efficacy [lm/W]	Colour temperature [K]	CRI/Ra	Operating temperature range [°C]
Type: PLUS version - O73, O74, O75, O76, O77, O78, O79, O80, O81, O82, O83 optics						
13022X.XL63X.XX1	204	30300	149	4000	>70	-40 ... +50
13022X.XL64X.XX1	204	29600	145	3000	>70	-40 ... +50
13022X.XL65X.XX1	204	26550	130	2700	>70	-40 ... +50
13022X.XL66X.XX1	204	24800	122	2200	>70	-40 ... +50
Type: PLUS version - O62, O63, O64, O65, O66, O67, O68, O69, O70, O71, O72 optics						
13022X.XL10X.XX1	103	14150	137	4000	>70	-40 ... +50
13022X.XL46X.XX1	103	13500	131	3000	>70	-40 ... +50
13022X.XL03X.XX1	103	12750	124	2700	>70	-40 ... +50
13022X.XL06X.XX1	103	11100	108	2200	>70	-40 ... +50
13022X.XL15X.XX1	160	19750	123	4000	>70	-40 ... +50
13022X.XL16X.XX1	160	18900	118	3000	>70	-40 ... +50
13022X.XL18X.XX1	160	17800	111	2700	>70	-40 ... +50
13022X.XL19X.XX1	160	15500	97	2200	>70	-40 ... +50
13022X.XL24X.XX1	205	27650	135	4000	>70	-40 ... +50
13022X.XL27X.XX1	205	26400	129	3000	>70	-40 ... +50
13022X.XL37X.XX1	205	24900	121	2700	>70	-40 ... +50
13022X.XL38X.XX1	205	21700	106	2200	>70	-40 ... +50

13022		.		L10		.		1.	
									Type of luminaires
									985 Luminaire with an additional anti-corrosion protection on request
									825 Access to the driver chamber without the use of tools on request
									829 Luminaire with holder for mounting on a ø76mm pillar on request
									Type of optic
									01 O2 - for express roads
									02 O3 - for local roads
									03 O4 - for town roads
									04 O5 - for residential area roads
									05 O6P - for pedestrian crossings, right side traffic
									09 O6L - for pedestrian crossings, left side traffic
									06 O7 - for area lighting
									08 O8 - for town and local roads
									10 O26 - for wet surfaces
									12 O33 - for express roads
									13 O34 - for local roads
									14 O35 - for town roads
									15 O36 - for residential area roads
									16 O37P - for pedestrian crossings, right side traffic
									17 O37L - for pedestrian crossings, left side traffic
									18 O38 - for area lighting
									19 O39 - for town and local roads
									20 O40 - for wet surfaces
									30 O13 - for express roads
									31 O14 - for local roads
									32 O15 - for town roads
									33 O16 - for residential area roads
									35 O59 - for local roads
									36 O60 - for town roads

* Lower temperature range: -40°C to -20°C, depending on the type of power supply used (consultation with the LUG Technical Preparation of Production Branch is required).

Please note that the standard luminaire is not intended for use in an environment with an increased corrosivity category. The use of the luminaire for work in an environment for which additional corrosion protection is necessary requires the use of an index with the extension .985 (on request).

In order to apply the luminaire in an aggressive environment, for example with an increased concentration of sulfur, salt or other aggressive substances, a consultation with the LUG Technical Preparation of Production Branch is required.

Luminous flux tolerance +/- 10%.

Power tolerance +/- 5%.

Lighting beam, light intensity distribution and light efficiency were examined in accordance with the EN ISO 17025:2005 norm for EN13032 norm series and the LM-79 norm.

Up-to-date product info and General Warranty terms available on our website www.luglightfactory.com

Detailed information on luminous fluxes and powers for individual indexes are indicated on the product data sheet.

The parameters in the data sheet are given for Ta=25°C.

The operating temperature ranges apply only to luminaires used in the outdoor environment.

Colour temperature tolerance +/- 5%.

Date of issue: 13-1-2021

The LUG Company reserves right to introduce any construction changes and improvements into the lighting luminaires

Group in catalogue: INFRASTRUCTURAL LIGHTING

- 37 O61 - for residential area roads
- 38 O62 - for express roads
- 39 O63 - for local roads
- 40 O64 - for town roads
- 41 O65 - for residential area roads
- 42 O66 - for pedestrian crossings, left side traffic
- 43 O67 - for pedestrian crossings, right side traffic
- 44 O68 - for area lighting
- 45 O69 - for town and local roads
- 46 O70 - for wet surfaces
- 47 O71 - for road lighting
- 49 O73 - for express roads
- 50 O74 - for local roads
- 51 O75 - for town roads
- 52 O76 - for residential area roads
- 53 O77 - for pedestrian crossings, left side traffic
- 54 O78 - for pedestrian crossings, right side traffic
- 55 O79 - for area lighting
- 56 O80 - for town and local roads
- 57 O81 - for wet surfaces
- 58 O82 - for road lighting
- 60 O84 - for road lighting
- 61 O85 - for road lighting

Protection Class

1 I

2 II

Type of equipment

5 ED

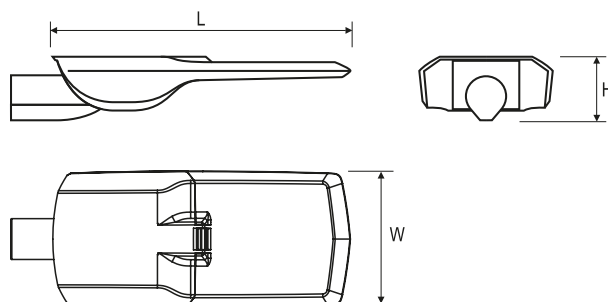
3 DALI

6 DALI/ED (only for luminaires with O13, O14, O15, O16 optics)

Colour

2 gray5 graphite

Code	Dimensions [mm] L W H	Mounting dimensions [mm] ØS	Pallet quantity	Quantity in package	Net weight [kg]
Type: O33, O34, O35, O36, O37P, O37L, O38, O39, O40 optics					
130222.5L79X.XX1	550 250 100	-	50	1	6.8
130222.5L74X.XX1	550 250 100	-	50	1	6.8
130222.5L80X.XX1	550 250 100	-	50	1	6.8
130222.5L75X.XX1	550 250 100	-	50	1	6.8
130222.5L81X.XX1	550 250 100	-	50	1	6.8
130222.5L76X.XX1	550 250 100	-	50	1	6.8
130222.5L82X.XX1	550 250 100	-	50	1	6.8
130222.5L77X.XX1	550 250 100	-	50	1	6.8
130222.5L83X.XX1	550 250 100	-	50	1	6.8
130222.5L78X.XX1	550 250 100	-	50	1	6.8
Type: O13, O14, O15, O16 optics					
130222.6L30X.XX1	550 250 100	-	50	1	7.0
130222.6L84X.XX1	550 250 100	-	50	1	7.0
130222.6L31X.XX1	550 250 100	-	50	1	7.0
130222.6L85X.XX1	550 250 100	-	50	1	7.0
130222.6L32X.XX1	550 250 100	-	50	1	7.0
130222.6L86X.XX1	550 250 100	-	50	1	7.0
130222.6L33X.XX1	550 250 100	-	50	1	7.0
130222.6L87X.XX1	550 250 100	-	50	1	7.0
130222.6L34X.XX1	550 250 100	-	50	1	7.0
130222.6L88X.XX1	550 250 100	-	50	1	7.0
130222.6L35X.XX1	550 250 100	-	50	1	7.0
130222.6L89X.XX1	550 250 100	-	50	1	7.0



* Lower temperature range: -40°C to -20°C, depending on the type of power supply used (consultation with the LUG Technical Preparation of Production Branch is required).

Please note that the standard luminaire is not intended for use in an environment with an increased corrosivity category. The use of the luminaire for work in an environment for which additional corrosion protection is necessary requires the use of an index with the extension .985 (on request).

In order to apply the luminaire in an aggressive environment, for example with an increased concentration of sulfur, salt or other aggressive substances, a consultation with the LUG Technical Preparation of Production Branch is required.

Luminous flux tolerance +/- 10%.

Power tolerance +/- 5%.

Lighting beam, light intensity distribution and light efficiency were examined in accordance with the EN ISO 17025:2005 norm for EN13032 norm series and the LM-79 norm.

Up-to-date product info and General Warranty terms available on our website www.luglightfactory.com

Detailed information on luminous fluxes and powers for individual indexes are indicated on the product data sheet.

The parameters in the data sheet are given for Ta=25°C.

The operating temperature ranges apply only to luminaires used in the outdoor environment.

Colour temperature tolerance +/- 5%.

Date of issue: 13-1-2021

The LUG Company reserves right to introduce any construction changes and improvements into the lighting luminaires

Code	Dimensions [mm] L W H	Mounting dimensions [mm] ØS	Pallet quantity	Quantity in package	Net weight [kg]
Type: O13, O14, O15, O16 optics					
130222.6L36X.XX1	550 250 100	-	50	1	7.0
130222.6L90X.XX1	550 250 100	-	50	1	7.0
Type: O2, O3, O4, O5, O6P, O6L, O7, O8, O26, O59, O60, O61, O84, O85 optics					
130222.5L42X.XX1	550 250 100	-	50	1	6.8
130222.5L01X.XX1	550 250 100	-	50	1	6.8
130222.5L43X.XX1	550 250 100	-	50	1	6.8
130222.5L13X.XX1	550 250 100	-	50	1	6.8
130222.5L44X.XX1	550 250 100	-	50	1	6.8
130222.5L04X.XX1	550 250 100	-	50	1	6.8
130222.5L45X.XX1	550 250 100	-	50	1	6.8
130222.5L07X.XX1	550 250 100	-	50	1	6.8
130222.5L46X.XX1	550 250 100	-	50	1	6.8
130222.5L10X.XX1	550 250 100	-	50	1	6.8
Type: O2, O3, O4, O5, O6P, O6L, O7, O8, O26 optics					
130222.5L02X.XX1	550 250 100	-	50	1	6.8
130222.5L14X.XX1	550 250 100	-	50	1	6.8
130222.5L05X.XX1	550 250 100	-	50	1	6.8
130222.5L08X.XX1	550 250 100	-	50	1	6.8
130222.5L11X.XX1	550 250 100	-	50	1	6.8
Type: OP2 optics					
130222.5L731.111	550 250 100	-	50	1	6.8
Type: PLUS version - O73, O74, O75, O76, O77, O78, O79, O80, O81, O82, O83 optics					
13022X.XL78X.XX1	670 320 105	60	20	1	10.3
13022X.XL83X.XX1	670 320 105	60	20	1	10.3
13022X.XL47X.XX1	670 320 105	60	20	1	10.3
13022X.XL48X.XX1	670 320 105	60	20	1	10.3
13022X.XL49X.XX1	670 320 105	60	20	1	10.3
13022X.XL56X.XX1	670 320 105	60	20	1	10.3
13022X.XL59X.XX1	670 320 105	60	20	1	10.3
13022X.XL60X.XX1	670 320 105	60	20	1	10.3
13022X.XL63X.XX1	670 320 105	60	20	1	10.3
13022X.XL64X.XX1	670 320 105	60	20	1	10.3
13022X.XL65X.XX1	670 320 105	60	20	1	10.3
13022X.XL66X.XX1	670 320 105	60	20	1	10.3
Type: PLUS version - O62, O63, O64, O65, O66, O67, O68, O69, O70, O71, O72 optics					
13022X.XL10X.XX1	670 320 105	60	20	1	10.3
13022X.XL46X.XX1	670 320 105	60	20	1	10.3
13022X.XL03X.XX1	670 320 105	60	20	1	10.3
13022X.XL06X.XX1	670 320 105	60	20	1	10.3
13022X.XL15X.XX1	670 320 105	60	20	1	10.3
13022X.XL16X.XX1	670 320 105	60	20	1	10.3
13022X.XL18X.XX1	670 320 105	60	20	1	10.3
13022X.XL19X.XX1	670 320 105	60	20	1	10.3
13022X.XL24X.XX1	670 320 105	60	20	1	10.3
13022X.XL27X.XX1	670 320 105	60	20	1	10.3

* Lower temperature range: -40°C to -20°C, depending on the type of power supply used (consultation with the LUG Technical Preparation of Production Branch is required).

Please note that the standard luminaire is not intended for use in an environment with an increased corrosivity category. The use of the luminaire for work in an environment for which additional corrosion protection is necessary requires the use of an index with the extension .985 (on request).

In order to apply the luminaire in an aggressive environment, for example with an increased concentration of sulfur, salt or other aggressive substances, a consultation with the LUG Technical Preparation of Production Branch is required.

Luminous flux tolerance +/- 10%.

Power tolerance +/- 5%.

Lighting beam, light intensity distribution and light efficiency were examined in accordance with the EN ISO 17025:2005 norm for EN13032 norm series and the LM-79 norm.

Up-to-date product info and General Warranty terms available on our website www.luglightfactory.com

Detailed information on luminous fluxes and powers for individual indexes are indicated on the product data sheet.

The parameters in the data sheet are given for Ta=25°C.

The operating temperature ranges apply only to luminaires used in the outdoor environment.

Colour temperature tolerance +/- 5%.

Date of issue: 13-1-2021

The LUG Company reserves right to introduce any construction changes and improvements into the lighting luminaires

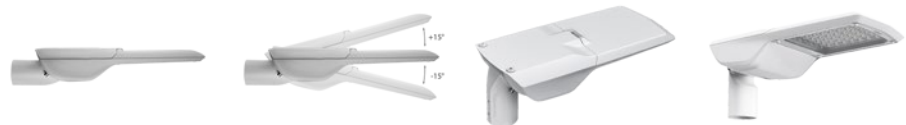
Code	Dimensions [mm] L W H	Mounting dimensions [mm] ØS	Pallet quantity	Quantity in package	Net weight [kg]
Type: PLUS version - O62, O63, O64, O65, O66, O67, O68, O69, O70, O71, O72 optics					
13022X.XL37X.XX1	670 320 105	60	20	1	10.3
13022X.XL38X.XX1	670 320 105	60	20	1	10.3

OTHER PICTURE



URBINO LED PLUS

URBINO LED PLUS



Luminaire with tool-free access to the power supply chamber (on request)

Luminaire with holder for mounting on a Ø76mm pillar (on request)

ACCESSORIES



□ 150170.00818
■ 150173.00906

Wall bracket Ø60mm



■ 150175.01106
□ 150172.01096

Rear-side louvers for URBINO LED luminaires



■ 150175.01107
□ 150172.01097

Side louvers for URBINO LED luminaires

* Lower temperature range: -40°C to -20°C, depending on the type of power supply used (consultation with the LUG Technical Preparation of Production Branch is required).

Please note that the standard luminaire is not intended for use in an environment with an increased corrosivity category. The use of the luminaire for work in an environment for which additional corrosion protection is necessary requires the use of an index with the extension .985 (on request).

In order to apply the luminaire in an aggressive environment, for example with an increased concentration of sulfur, salt or other aggressive substances, a consultation with the LUG Technical Preparation of Production Branch is required.

Luminous flux tolerance +/- 10%.

Power tolerance +/- 5%.

Lighting beam, light intensity distribution and light efficiency were examined in accordance with the EN ISO 17025:2005 norm for EN13032 norm series and the LM-79 norm.

Up-to-date product info and General Warranty Terms available on our website www.luglightfactory.com

Detailed information on luminous fluxes and powers for individual indexes are indicated on the product data sheet.

The parameters in the data sheet are given for Ta=25°C.

The operating temperature ranges apply only to luminaires used in the outdoor environment.

Colour temperature tolerance +/- 5%.

Date of issue: 13-1-2021

The LUG Company reserves right to introduce any construction changes and improvements into the lighting luminaires